

VESUVIO

Colors, Tile Patterns & Full Customization Guide

VESUVIO: COLOR SELECTION

STANDARD: +\$0

EXTENDED: +\$335 CAD

Standard Colors: Forno Bravo offers a choice of several standard primary and trim tile colors. The standard colors are the most popular options in our glass tile line. They can be used with any one of our standard patterns, in any combination (see page 3 for examples.) The standard choices include: **Winter White, Candy Apple Red, Black Coffee, Polo Blue, Pewter Gray, and Smoke Gray.**

Extended Colors: Further customize your oven with access to even more Primary and Trim colors for a single fixed price. Choose from **Whisper Blue, Creampuff, Amber Gold, Kiwi, Marigold, Oyster, Cedarwood, Brick Dust, Chocolate Sundae, and Mystical Grape.**



Grout Colors: White is our standard grout color. Black or grey grout are also available at no additional charge. (Only one grout color may be selected per oven.) Just let your sales team member know your preference when you confirm your order!

Note: Colors and styles outside of our standard and extended glass tile line will be quoted by the sales team on a case by case basis.

SEE PAGE 6 FOR CUSTOM QUOTED TILE SELECTION

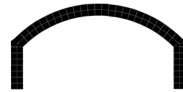
VESUVIO: TILE PATTERNS



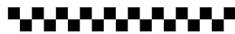
SOLID



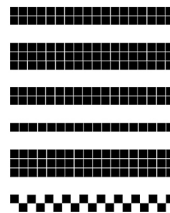
SOLID ARCH



SOLID MASK



MINIMAL



STANDARD

PATTERNS ARE FLEXIBLE:

Our tiled ovens come in five standard patterns for their hand-tiled finish. Want to add or remove a line to accommodate letters or a logo, or just as a design choice? These patterns can be adapted slightly to your desired look at no charge. (For example, you can change the accent line on the Minimal Design from 1 tile-line width to two.) Excessive deviation from these tile patterns will require a custom design quote from the sales team, so that we can fully and accurately bring your vision to life.

SEE PAGE 5 FOR DESIGN INSPIRATION

VESUVIO: LOGO ADD-ON

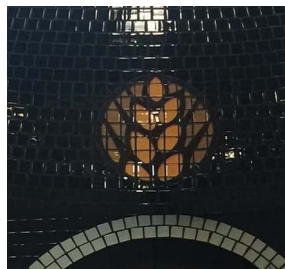
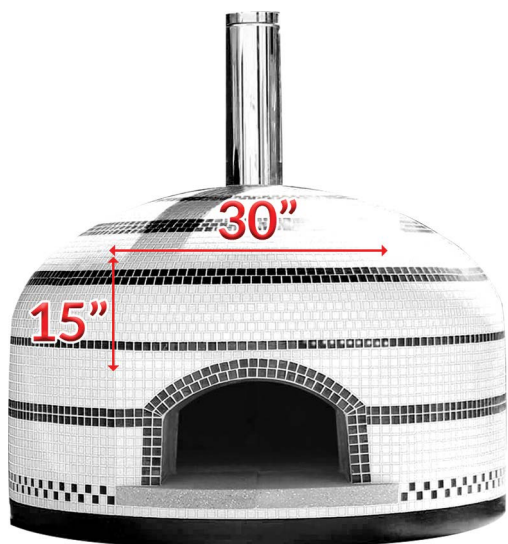
STANDARD LOGO: \$935 CAD (Max Size 30"W x 15"H)

A Forno Bravo wood or gas fired oven is a hand-crafted, legacy piece that your family will enjoy for many years. You can customize your oven by adding a monogram, word, logo, or image that celebrates your family and your interests! Below are several examples to spark your imagination, or you can visit the photo gallery at www.fornobravo.com for even more ideas.

Logos and letter combinations at this price point are limited to 3 colors and a maximum size of **30"W x 15"H**. The Vesuvio's face is expansive enough to support large ideas, but small enough for personal or simple images to really stand out as well.

You may select the colors for the letters/logo from both our standard and extended glass tile color pallets at no additional charge. *Note: We are not able to use copyrighted images or trade names on your oven without express permission from the copyright holder.

If you select a logo add-on on the online store, a team member will contact you to confirm your choice, and/or assist you in developing your unique design.



LOGO/LETTER SIZES OUTSIDE OF THE STANDARD SIZE WILL BE QUOTED SEPARATELY

VESUVIO: FULLY CUSTOM INSPIRATION

FULLY CUSTOM: GET CUSTOM QUOTE

Looking to make your oven a true, one-of-a-kind showpiece with colors, patterns, or designs outside of the standard or extended options? We can help you find the perfect combination to match your style and vision! Looking for inspiration? Check out some of the creative oven designs pictured below or in our gallery for new ideas. Our experienced craftsmen in Salinas, CA can tackle designs from the classic to crazy; mild to wild! They have helped hundreds of customers around the world to enhance their restaurants or outdoor kitchens with unique designs and branding.

Because of the extensive variety of possible materials and designs, all fully custom tile work will be quoted separately, and must be approved by the customer before production.



[VIEW MORE INSPIRING BUILDS ON FORNOBRAVO.COM/GALLERY](https://fornobravo.com/gallery)

VESUVIO: CUSTOM QUOTED TILE UPGRADES

TILE QUOTED WITH SALES TEAM MEMBER

Our upgraded tile options include a wide variety of custom colors and finishes. While many people like the lightness and symmetry of square, glass tile, others prefer the depth of a matt finish, or the interest of a textured tile; hexagonal or round tiles allow for a “subway look,” or a retro-style vibe; stone finishes can compliment granite countertops beautifully. We can match the look you like!

As special orders, costs and lead times will vary. Custom design quotes must be approved by the customer before materials are ordered.



VESUVIO: BLANK OVENS

START CUSTOMIZING

Now, it's time to start capturing your ideas. We know it can be hard to just design in your head. To make the creative process easier, we have included several blank oven templates where you can test out various design ideas. Feel free to sketch, draw, color, or doodle to your heart's content until you find a look that works for you! You can use these templates to help explain your ideas to your sales team member when they contact you to confirm your design.

