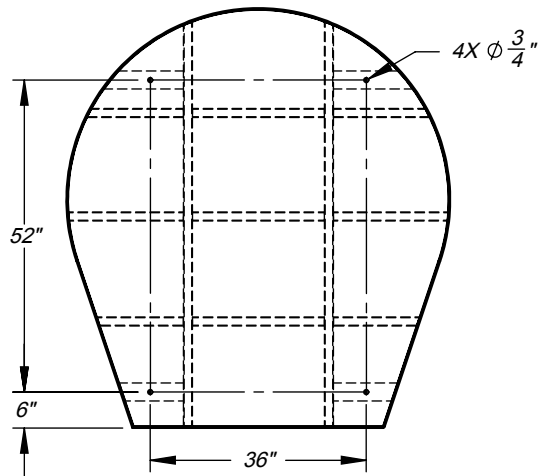
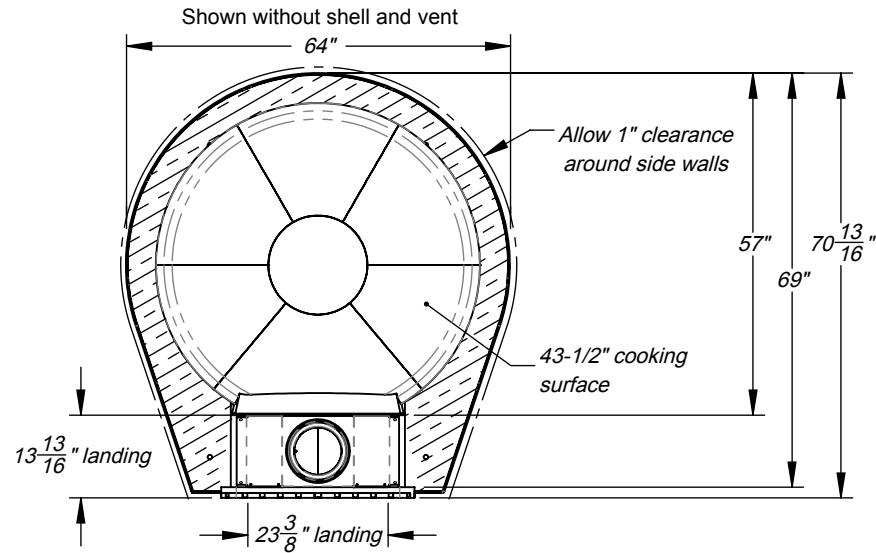


**Top View  
Oven Mounting Layout**



**Top View**



**Clearance to Combustibles:**

Allow 1" clearance all the way around side walls

14" required above completed dome

30" side clearance from door opening

36" from front of oven landing to combustibles

Non-combustible hearth

**Specifications:**

Wood fuel

Crate ships 69" W x 80" D x 55" H

Approx oven weight 3550 lbs.

Approx shipping weight 3850 lbs.

Check local codes for venting requirements.

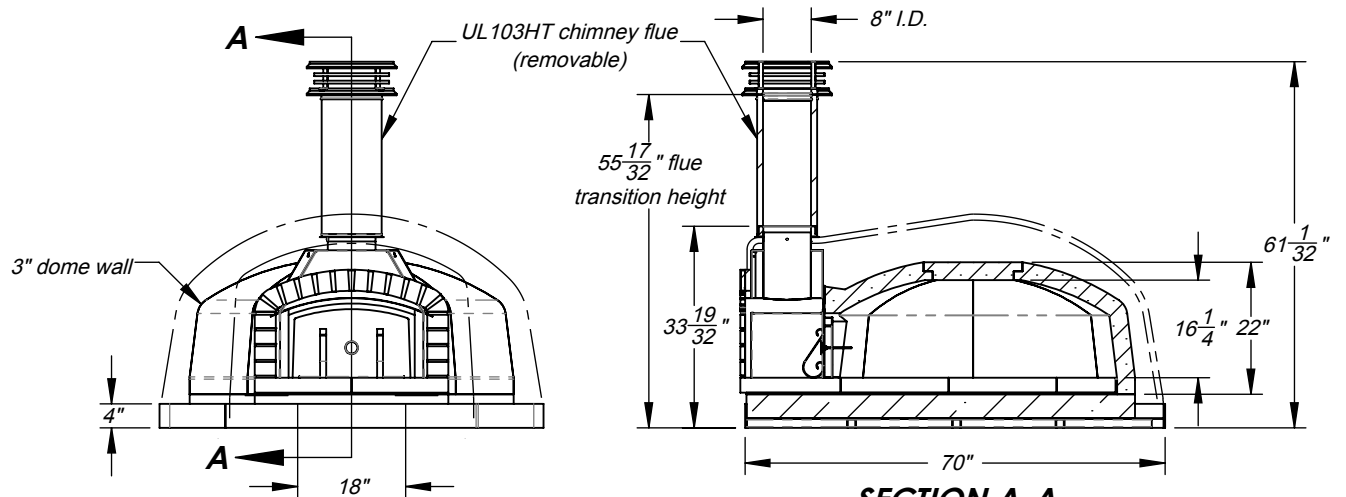
Product UL listed for UL103HT Direct Vent,

Grease Duct or Type 1 Hood

**Oven requires fork lift to offload at time of delivery.**

**WARNING:**

**READ ALL INSTRUCTIONS IN INSTALLATION MANUAL BEFORE INSTALLING AND USING APPLIANCE. FAILURE TO FOLLOW INSTRUCTIONS MAY RESULT IN PROPERTY DAMAGE, BODILY INJURY OR EVEN DEATH**



**Front View**

**Option A - Flush Trailer Vent**

**SECTION A-A**

Shown with non-combustible hearth



Intertek



Intertek

UL737, UL2162, NSF-4, CAN/CGA-1.8 Dual,  
ANSI-Z83.11 Dual, ANSI-Z21.58, CSA 1.6-2007 Listed  
For more information: [www.fornobravo.com](http://www.fornobravo.com)

Made in the U.S.A.



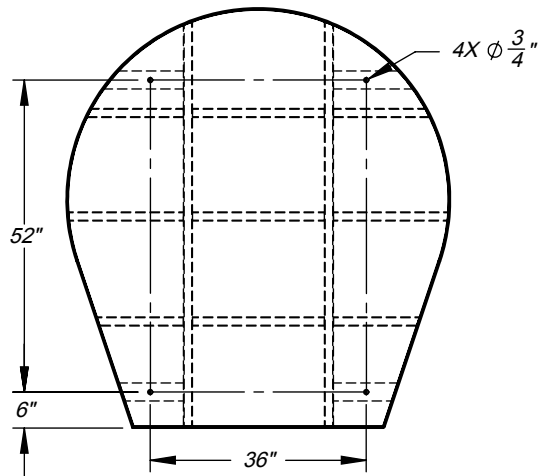
**Viaggio 120**

Architect Drawings

Revision 2/21/2019

Sheet: 1 of 4

### Top View Oven Mounting Layout



#### Clearance to Combustibles:

Allow 1" clearance all the way around side walls

14" required above completed dome

30" side clearance from door opening

36" from front of oven landing to combustibles

Non-combustible hearth

#### Specifications:

Wood fuel

Crate ships 69" W x 80" D x 55" H

Approx oven weight 3550 lbs.

Approx shipping weight 3850 lbs

Check local codes for venting requirements.

Product UL listed for UL103HT Direct Vent,

Grease Duct or Type 1 Hood

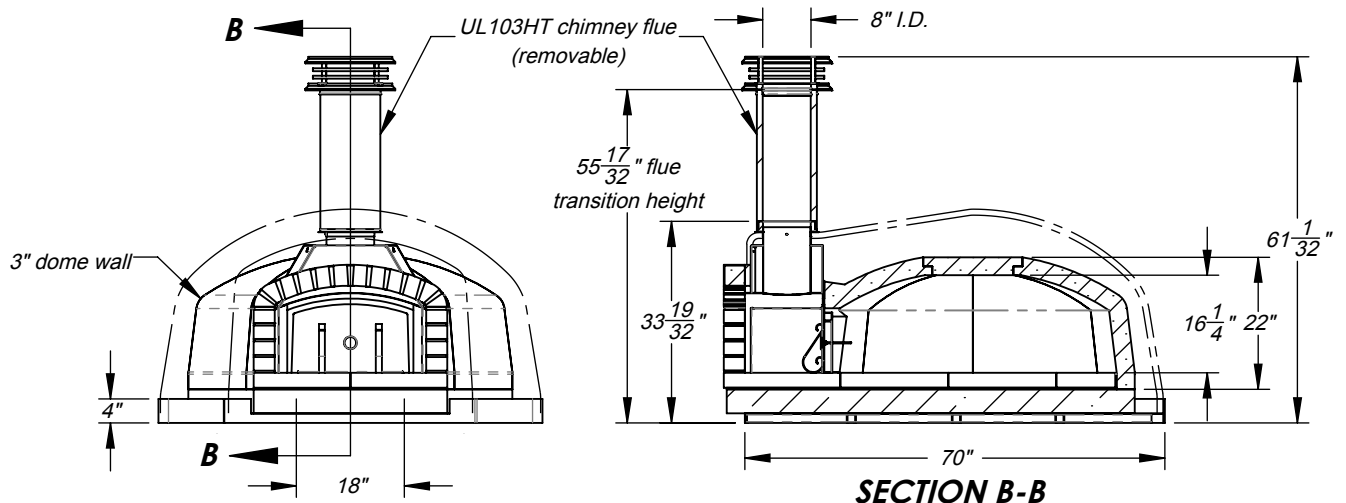
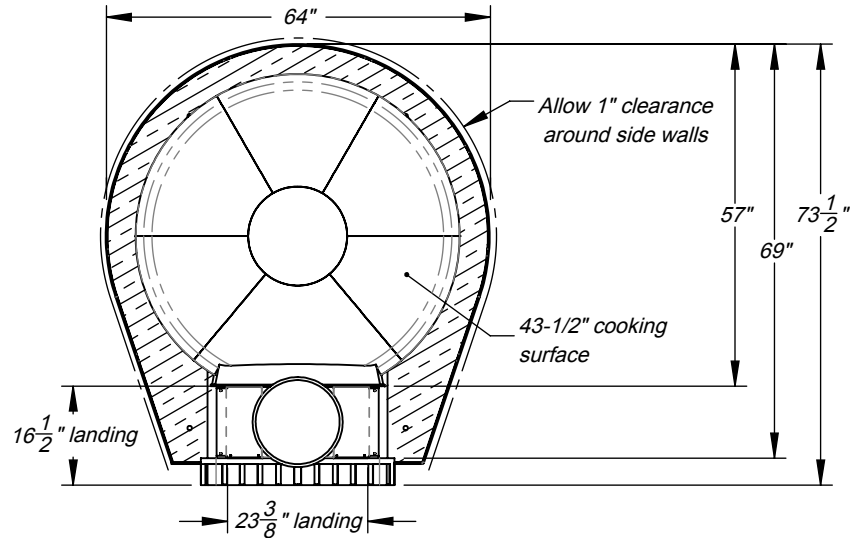
**Oven requires fork lift to offload at time of delivery.**

#### WARNING:

**READ ALL INSTRUCTIONS IN INSTALLATION MANUAL BEFORE INSTALLING AND USING APPLIANCE. FAILURE TO FOLLOW INSTRUCTIONS MAY RESULT IN PROPERTY DAMAGE, BODILY INJURY OR EVEN DEATH**

### Top View

Shown without shell and vent



### Front View Option B - Extended Trailer Vent



Intertek



Intertek

UL737, UL2162, NSF-4, CAN/CGA-1.8 Dual,  
ANSI-Z83.11 Dual, ANSI-Z21.58, CSA 1.6-2007 Listed  
For more information: [www.fornobravo.com](http://www.fornobravo.com)

Made in the U.S.A.

**FORNO BRAVO**<sup>®</sup>  
THE WORLD'S FINEST PIZZA OVENS

Viaggio 120

Architect Drawings

Revision 2/21/2019

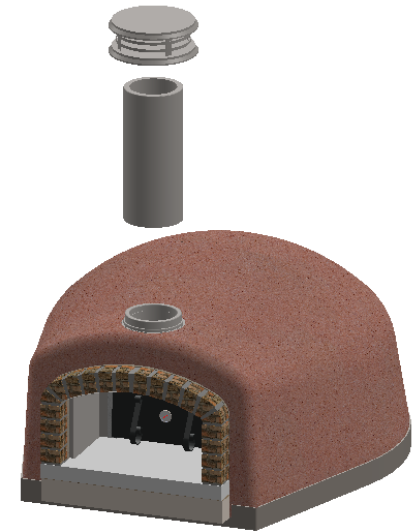
Sheet: 2 of 4

**Viaggio120 Mobile Drop-In Pizza Oven includes:**

- 3" thick, two-sided vibrated refractory oven dome with integral landing
- 13-13/16" or 16-1/2" non-combustible landing
- Industrial-grade ceramic fiber insulation blankets (4" on sides, 6" on top in multiple 1" thick layers)
- 4" of ceramic fiber insulation board below cooking floor (2 x 2")
- NSF-4 rated, 2-1/2" thick fireclay cooking surface (48" x 59")
- 24" removable, double wall stove pipe, anchor plate, and chimney cap with spark arrester
- Powder coated, double wall, insulated steel door
- Door thermometer

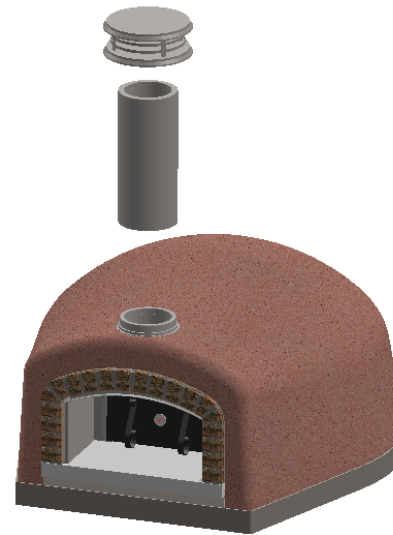
**Specifications for Oven Finish and Tray:**

- Stucco finish (2 standard colors; custom color upgrades available)
- Flush or extended trailer vent options
- Fabricated steel ring and tray in a powder coated finish
- Integrated grid of square tubular supports in the tray to increase strength and reduce flex
- Pre-drilled holes and mounting brackets for easy and secure mounting
- Stainless steel strapping of the oven dome to the tray for additional durability
- Stainless steel throat for weight savings
- UL 103HT-rated chimney anchor plate and removable stove pipe
- Designed for mounting on a double-axle trailer or food truck
- Oven can be transferred to a future stationary location
- Wood-fired only in mobile applications



**Option B  
Extended Trailer Vent**

Extended landing for use when going through a wall and being flashed



**Option A  
Flush Trailer Vent**


Flush mount landing for use in open trailers and food truck concession trailers

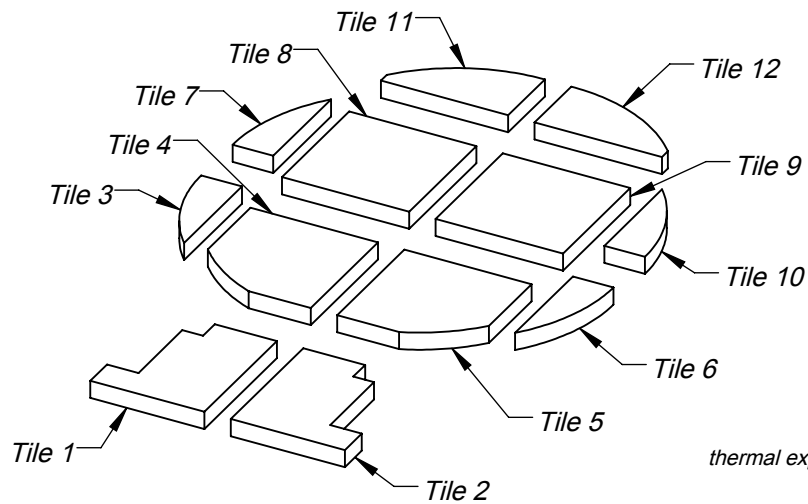
**WARNING:**

**READ ALL INSTRUCTIONS IN INSTALLATION MANUAL BEFORE INSTALLING AND USING APPLIANCE. FAILURE TO FOLLOW INSTRUCTIONS MAY RESULT IN PROPERTY DAMAGE, BODILY INJURY OR EVEN DEATH**



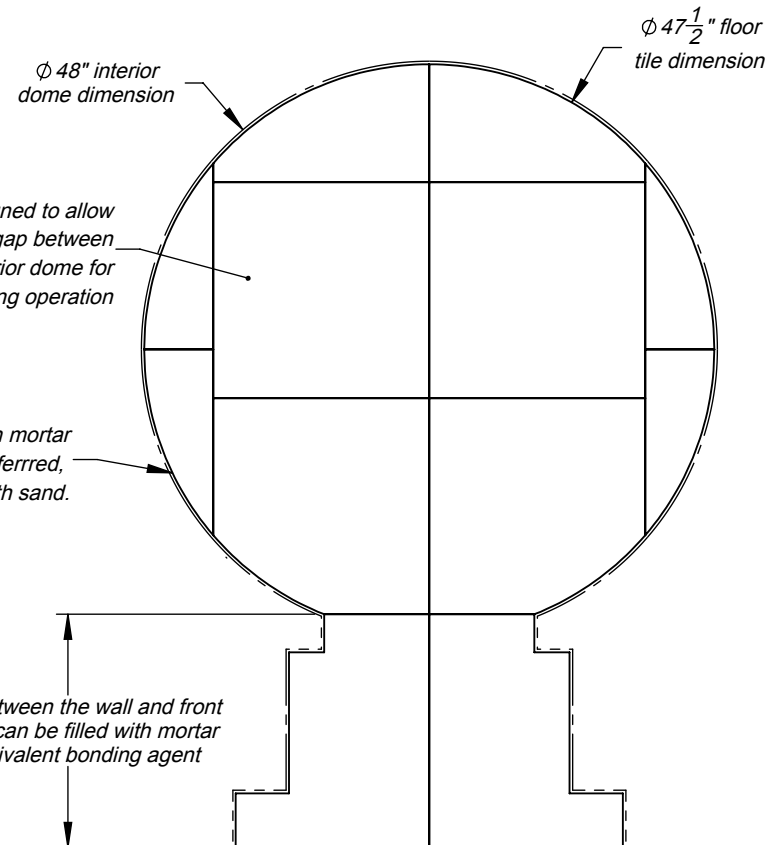
UL737, UL2162, NSF-4, CAN/CGA-1.8 Dual,  
ANSI-Z83.11 Dual, ANSI-Z21.58, CSA 1.6-2007 Listed  
For more information: [www.fornobravo.com](http://www.fornobravo.com)

Made in the U.S.A.	
 <p><b>FORNO BRAVO</b><sup>®</sup> THE WORLD'S FINEST PIZZA OVENS</p>	
Viaggio 120	
Architect Drawings	
Revision 2/21/2019	Sheet: 3 of 4



When ordering replacement tiles, reference tile number, pizza oven model and date of purchase

## Top View Floor Tile Layout



### **Specifications:**

Pizza oven floor is NSF-4 rated with 2-1/2" thick surface.


Use 1/4" mortar, sairset, or #60 mesh sand to level the floor.

No more than 3/8" filler around landing or door may not fit.

**WARNING:**  
**READ ALL INSTRUCTIONS IN INSTALLATION MANUAL BEFORE INSTALLING AND USING APPLIANCE. FAILURE TO FOLLOW INSTRUCTIONS MAY RESULT IN PROPERTY DAMAGE, BODILY INJURY OR EVEN DEATH.**



UL737, UL2162, NSF-4, CAN/CGA-1.8 Dual,  
 ANSI-Z83.11 Dual, ANSI-Z21.58, CSA 1.6-2007 Listed  
 For more information: [www.fornobravo.com](http://www.fornobravo.com)

Made in the U.S.A.	
 <b>FORNO BRAVO</b> <sup>®</sup> THE WORLD'S FINEST PIZZA OVENS	
<i>Viaggio 120</i>	
<i>Architect Drawings</i>	
<i>Revision 2/21/2019</i>	<i>Sheet: 4 of 4</i>