

Specifications:

- Wood fuel only;
- Single wall 8" SST flue standard;
- 8" UL 103 HT for indoor install;
- Crate ships 54"W x 46"D x 49"H;
- Approx weight 1600 lbs;
- Lift gate optional.

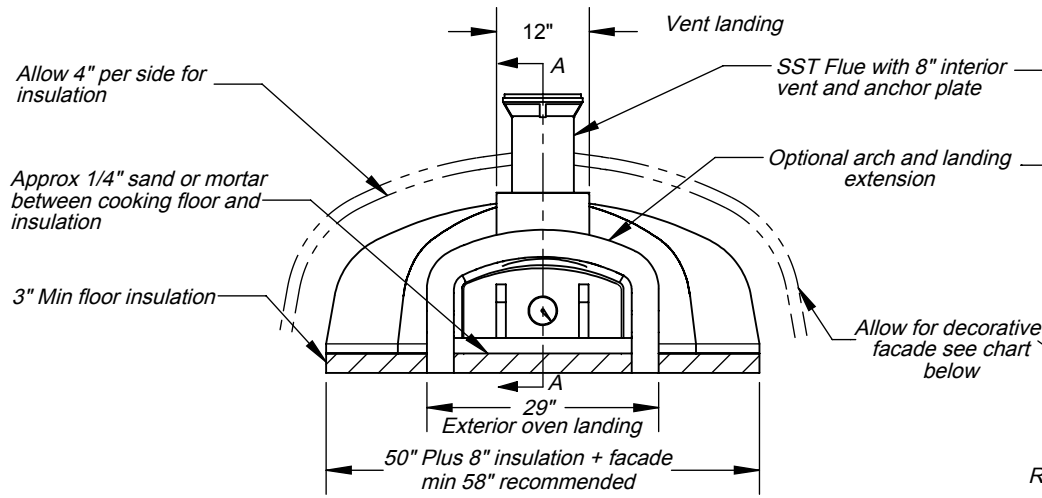


Decorative Facade Allowances	Depth	Width
Brick Arch	Usually 5"	N/A
Brick Landing	Usually 8"	Preference
Stucco	Approx 1"	Approx 2"
Tile	Approx 1"	Approx 2"
Stone/Brick Veneer	Approx 1"	Approx 2"
Brick or Masonry non veneer	Check Material Spec	
UL-2162, UL-737, NSF-4, CAN/CGA-1.8, ANSI-Z83.11 Listed		

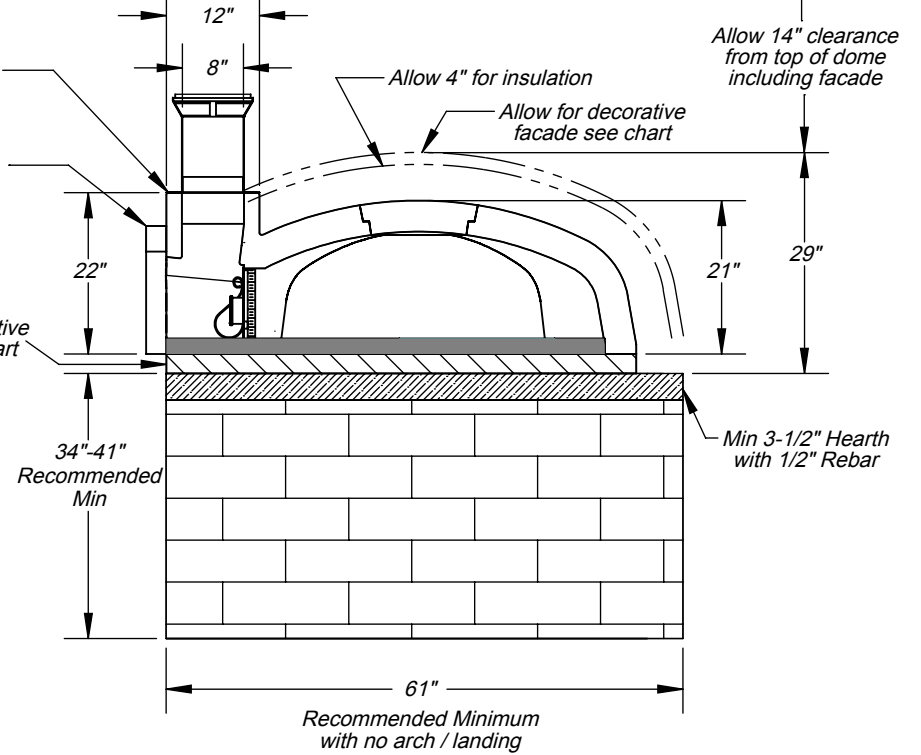
MADE IN THE USA

Premio2G 100
Architect Drawings
Revision 1/26/15

Front View

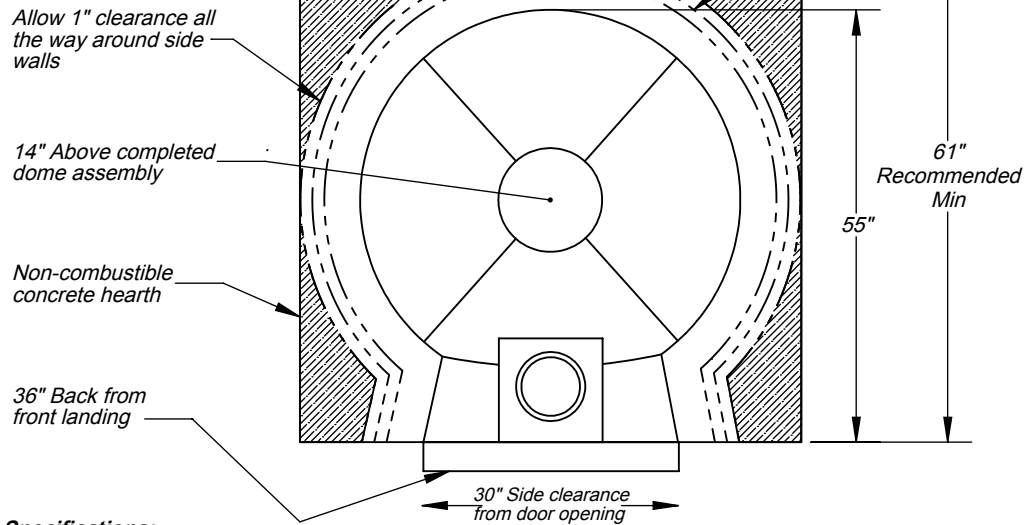


Side Elevation



Top View

Clearance to combustibles:



Section A-A

Shown with non combustible Concrete Hearth

Specifications:

- Wood fuel only;
- Single wall 8" SST flue standard;
- 8" UL 103 HT for indoor install;
- Crate ships 54"W x 48"D x 61"H;
- Approx weight 1900 lbs;
- Lift gate optional.



Decorative Facade Allowances	Depth	Width
Brick Arch	Usually 5"	N/A
Brick Landing	Usually 8"	Preference
Stucco	Approx 1"	Approx 2"
Tile	Approx 1"	Approx 2"
Stone/Brick Veneer	Approx 1"	Approx 2"
Brick or Masonry non veneer	Check Material Spec	

UL-2162, UL-737, NSF-4, CAN/CGA-1.8, ANSI-Z83.11 Listed

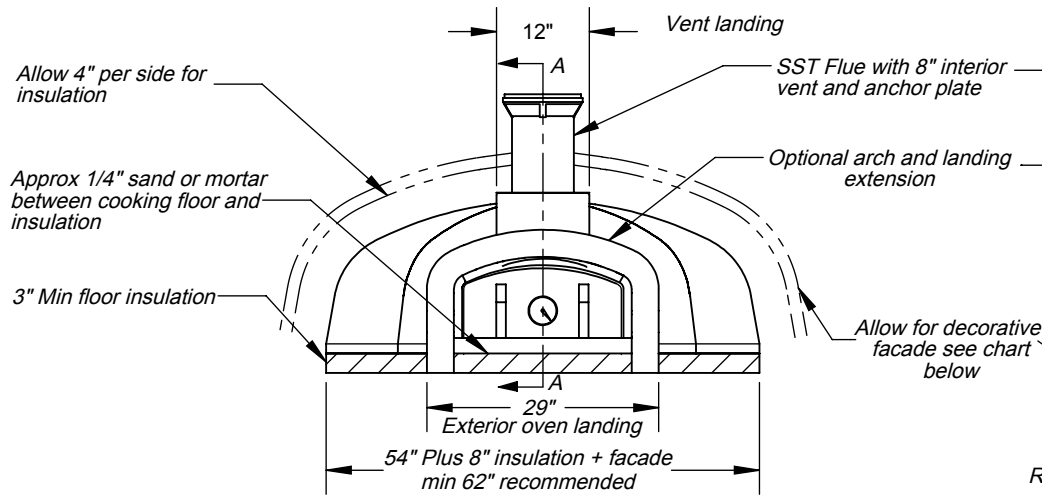
MADE IN THE USA



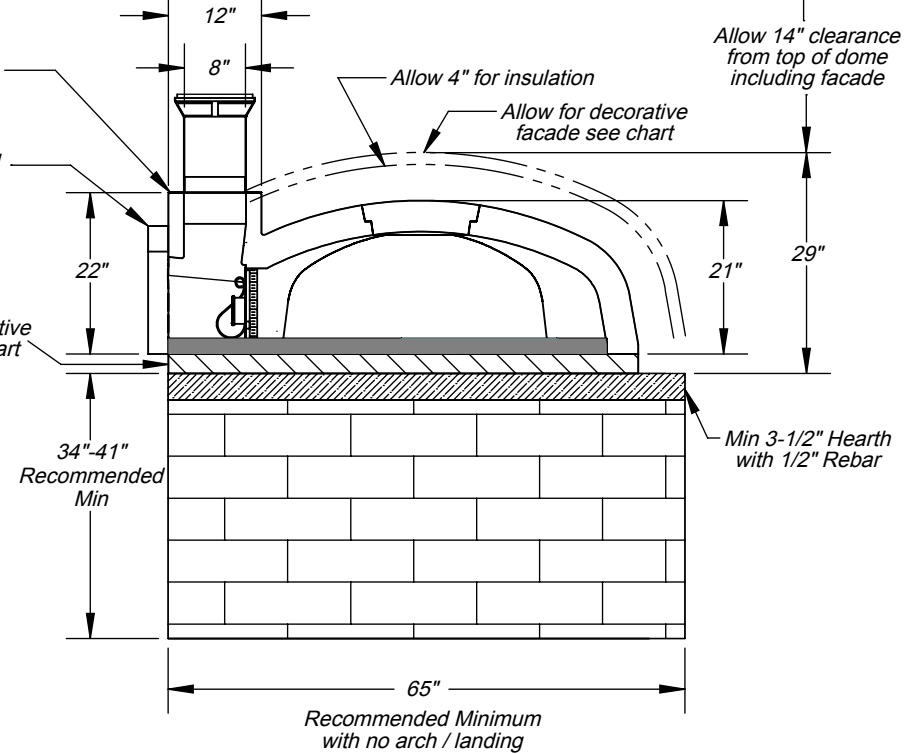
Premio2G 110
 Architect Drawings

Revision 1/26/15

Front View

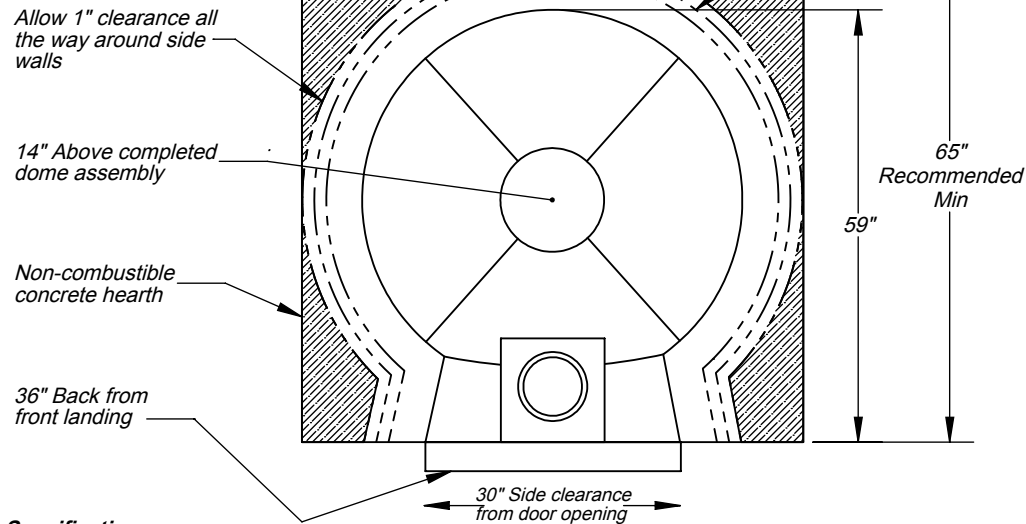


Side Elevation



Top View

Clearance to combustibles:



Section A-A

Shown with non combustible Concrete Hearth

Specifications:

- Wood fuel only;
- Single wall 8" SST flue standard;
- 8" UL 103 HT for indoor install;
- Crate ships 49"W x 58"L x 50"H;
- Approx weight 2100 lbs;
- Lift gate optional.



Decorative Facade Allowances	Depth	Width
Brick Arch	Usually 5"	N/A
Brick Landing	Usually 8"	Preference
Stucco	Approx 1"	Approx 2"
Tile	Approx 1"	Approx 2"
Stone/Brick Veneer	Approx 1"	Approx 2"
Brick or Masonry non veneer	Check Material Spec	

UL-2162, UL-737, NSF-4, CAN/CGA-1.8, ANSI-Z83.11 Listed

MADE IN THE USA



Premio2G 120
 Architect Drawings

Revision 1/26/15