

CHICAGO BRICK OVEN, LLC
205 E. BUTTERFIELD RD., #448
ELMHURST, IL 60126
REFRACTORY WOOD BURNING OVENS

CBO-500 CBO-750

Conforms to: UL Subject 2162 & NSF/ANSI STD 4
Certified to: ULC STD S627



Intertek

Intertek

Manufacturer's Identification Number

4007432

4007433

MANUFACTURED

INSTALL AND USE ONLY IN ACCORDANCE WITH THE MANUFACTURER'S INSTALLATION AND OPERATING INSTRUCTIONS.

CONTACT YOUR LOCAL BUILDING OR FIRE OFFICIALS ABOUT RESTRICTIONS AND INSTALLATION INSPECTION IN YOUR AREA.

FOR USE WITH SOLID WOOD FUEL ONLY. DO NOT CONNECT THIS UNIT TO A CHIMNEY FLUE SERVING ANOTHER APPLIANCE.

USE ONLY WITH A LINED MASONRY OR LISTED TYPE HT FACTORY-BUILT CHIMNEY. FOLLOW INSTRUCTIONS FOR PASSING CHIMNEY THROUGH COMBUSTIBLE WALLS AND CEILINGS.

MAINTAIN 10" (254mm) CLEARANCE (AIR SPACE) ON ALL SIDES AND 18" (457.2mm) ON TOP AND 30" (762mm) ON BOTTOM FROM COMBUSTIBLE MATERIALS. DO NOT FILL REQUIRED AIR SPACE WITH INSULATION OR OTHER MATERIALS.

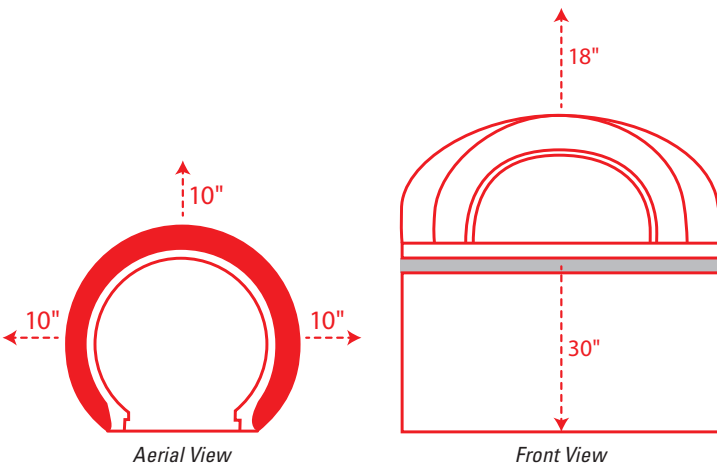
FACE OF ENCLOSURE MUST BE CONSTRUCTED OF A NON-COMBUSTIBLE MATERIAL.

FOR INDOOR APPLICATIONS: THIS COOKING EQUIPMENT MAY BE USED WITH AN EXHAUST HOOD TESTED FOR COMPLIANCE WITH THE STANDARD FOR VENTILATION CONTROL AND FIRE PROTECTION OF COMMERCIAL COOKING OPERATIONS, NFPA96, OR WITH THE REQUIREMENTS IN THE STANDARD FOR EXHAUST HOODS FOR COMMERCIAL COOKING EQUIPMENT, UL 710. REFER TO HOOD MANUFACTURER'S INSTALLATION INSTRUCTIONS FOR PRECAUTIONS, CLEARANCES, AND MINIMUM REQUIRED AIR FLOWS REQUIRED FOR INSTALLATION OF THE EXHAUST HOOD AND REFERENCE TO BUILDING CODES DETAILS.

OVEN SUPPLIED WITH THERMOWORKS IR-GUN-S INFRARED TEMPERATURE GUN.

TO REDUCE RISK OF CREOSOTE FIRE, INSPECT OVEN TWICE MONTHLY AND CLEAN WHEN NECESSARY. DO NOT OVERFIRE; WHEN FLAME SPILLS OUT OF THE OVEN YOU ARE OVERFIRING. DO NOT USE GRATE OR ELEVATE FIRE; BUILD FIRE DIRECTLY ON HEARTH. DO NOT OPERATE WITH OVEN DOOR CLOSED.

DO NOT REMOVE OR COVER THIS LABEL.



Clearance (Air Space) Diagram



CAUTION: HOT WHILE IN OPERATION, DO NOT TOUCH. KEEP CHILDREN, CLOTHING, AND FURNITURE AWAY. CONTACT MAY CAUSE SKIN BURNS. SEE NAME PLATE AND INSTRUCTIONS.